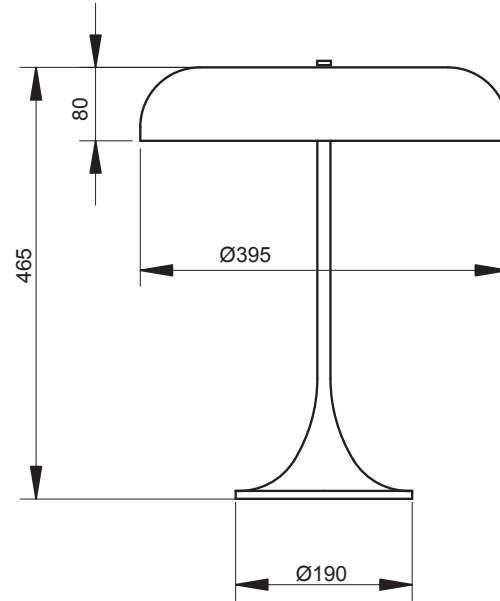


MADISON

Table lamp



Inspired by vintage luminaires, MADISON seduces with its curves and harmonious shapes. It will find its place in all types of interior. Product delivered without bulb. Switch on the wire.

• TECHNICAL SPECIFICATIONS

Light source _____ **2xE27**
Power _____ **12W maxi**
Material _____ **Steel / Aluminium**
Color _____ ● ○

• LOGISTIC SPECIFICATIONS

Packaging _____ **1 package**
Net weight _____ **2,85 kg**
Gross weight _____ **4,2 kg**
Package dimensions _____ **TBA**
Master box _____ **1 piece**

• COMMERCIAL SPECIFICATIONS

Weight _____ **4,2 kg**
Warranty _____ **2 years**
EAN Code _____ ● **3131130362533**
○ **3131130362526**



ALUMINOR
L U M I N A I R E S

852 CD 15, 06390 CONTES, FRANCE // +33 (0)4 93 91 60 10
contact@aluminor.fr // www.aluminor.fr